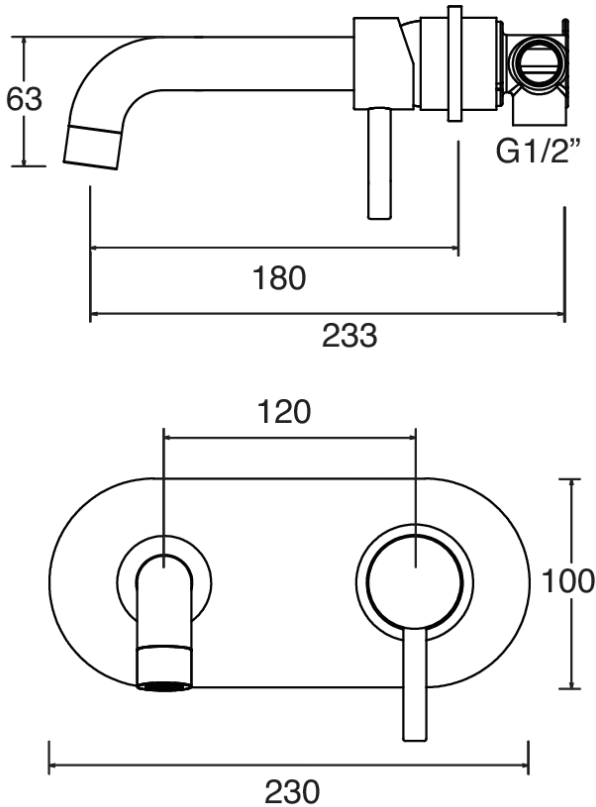


MOTU WALL MOUNTED BASIN MIXER 180MM GUNMETAL



- ① Chrome
- ② Matte Black
- ③ PVD Brushed Brass
- ④ PVD Gunmetal
- ⑤ PVD Brushed Nickel

CONSTRUCTION: Brass

CARTRIDGE/VALVE TYPE: Ceramic Cartridge

SUPPLY: Suitable For All Plumbing Systems

INLET CONNECTIONS: 1/2" BSP

WORKING PRESSURES: 0.3 - 5.0 bar

OPERATION: Single lever flow and temperature control

- On Trend Gunmetal Finish For A Designer Look
- Contemporary Single Lever Design
- Ceramic Cartridge For Smooth Operation
- Fitted With A 4 L/Min Flow Regulator
- Slim Stream Aerator With Directional Swivel
- One Piece Inwall Breech Assembly For Ease Of Installation
- Products Which Are Easy To Use By All The Family

MTWMB2GM

Gunmetal

Open Outlet Flow (Bar - l/min)

BAR	0.3	0.5	1.0	2.0	3.0	4.0	5.0
SPOUT FLOW	1.7	2.1	2.9	3.8	3.5	3.3	3.4



2110317

2110703

Please Note: Flow rate will be dictated by installation configurations.
Please ensure to check the appropriate flow restrictor information if applicable.
*Please refer to website for full warranty details.

FREEPHONE: 0800 195 1602 | FAX ORDERS: 08444 068 690 | EMAIL: SALES@UK.METHVEN.COM

methven.com

THE INFORMATION ON THIS SPECIFICATION DOCUMENT WAS CORRECT AT THE DATE OF ISSUE. SOME VARIATION MAY OCCUR DUE TO THE MANUFACTURING TOLERANCES AND SITE SPECIFIC CONDITIONS.