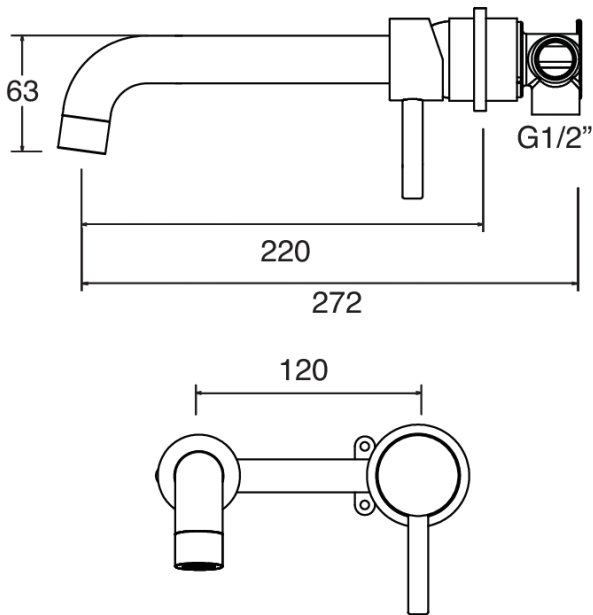


## MOTU WALL MOUNTED BATH MIXER 220MM BRUSHED NICKEL



**CONSTRUCTION:** Brass

**CARTRIDGE/VALVE TYPE:** Ceramic Cartridge

**SUPPLY:** Suitable For All Plumbing Systems

**INLET CONNECTIONS:** 1/2" BSP

**WORKING PRESSURES:** 0.3 - 5.0 bar

**OPERATION:** Single lever flow and temperature control

- On Trend Brushed Nickel Finish For A Designer Look
- Contemporary Single Lever Design
- Ceramic Cartridge For Smooth Operation
- One Piece Inwall Breech Assembly For Ease Of Installation
- Products Which Are Easy To Use By All The Family

### MTWMB1BN

### Brushed Nickel

#### Open Outlet Flow (Bar - l/min)

BAR	0.3	0.5	1.0	2.0	3.0	4.0	5.0
SPOUT FLOW	5.2	6.4	8.7	12.1	14.6	16.6	18.2



2110317



Please Note: Flow rate will be dictated by installation configurations.  
Please ensure to check the appropriate flow restrictor information if applicable.  
\*Please refer to website for full warranty details.

**FREEPHONE: 0800 195 1602 | FAX ORDERS: 08444 068 690 | EMAIL: SALES@UK.METHVEN.COM**

[methven.com](http://methven.com)

THE INFORMATION ON THIS SPECIFICATION DOCUMENT WAS CORRECT AT THE DATE OF ISSUE. SOME VARIATION MAY OCCUR DUE TO THE MANUFACTURING TOLERANCES AND SITE SPECIFIC CONDITIONS.