



Non Concussive

Self Closing Basin Taps

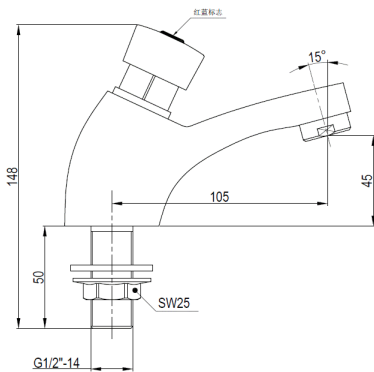
Product Code: NCT001

Finish: Chrome

Features

- Construction:** Brass
- Valve/Cartridge type:** Timed Flow
- Supply:** Suitable For Low Pressure Systems
- Working Pressures:** 0.1 - 5.0 bar
- Inlet connections:** 1/2" BSP
- Flexi or Copper:** N/A

- Self closing deck basin taps - Sold in pairs
- Pre-set automatic shut off after approximately 10 seconds
- Recommended for use with a blending valve
- Includes metal backnuts for added durability
- Specialist design reduces vandalism and risk from flooding
- Easy to use red and blue temperature indicators
- Fitted with a 4lpm flow regulator.
- To optimise performance, low pressure installations may require a high flow anti-splash. This can be requested via our Customer Care team.



*Please refer to website for full warranty details.

Flow (Bar - l/min, open outlet)

Spout

Flow 0.1	Flow 0.3	Flow 0.5	Flow 1.0	Flow 2.0	Flow 3.0	Flow 4.0	Flow 5.0
0	0	0	0	0	0	0	0



2305776



2305337

