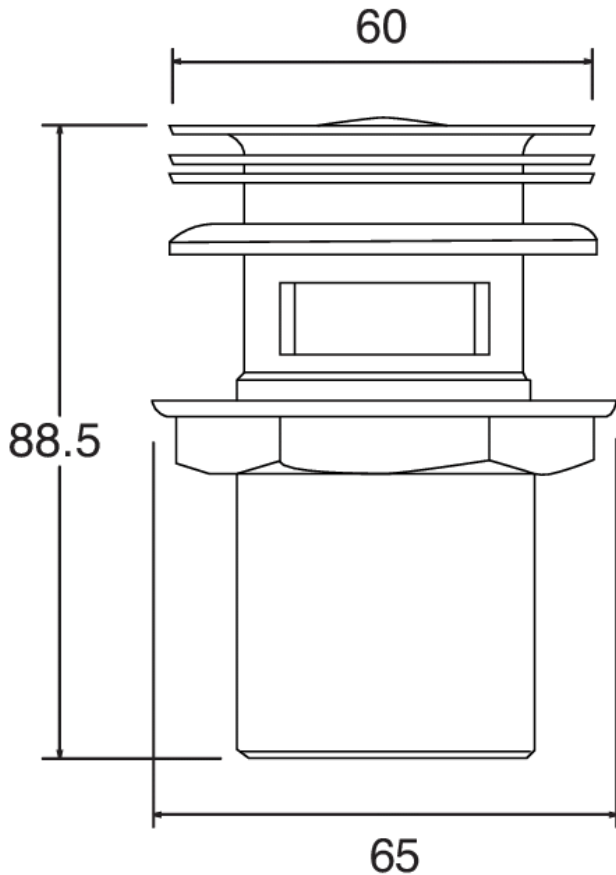







1 1/4" SLOTTED PRESS TOP BASIN WASTE - GUNMETAL



-  Chrome
-  Matte Black
-  PVD Brushed Brass
-  PVD Gunmetal
-  PVD Brushed Nickel

CONSTRUCTION: Brass

INLET CONNECTIONS: 1 1/4" BSP

- Slotted waste for basins with a built in overflow
- Operated by a simple push button mechanism
- Simply push to open and close
- Moving parts unscrew for easy and thorough cleaning
- Standard 1 1/4" BSP inlet connection

PTW300GM

Gunmetal



2101737



Please Note: Flow rate will be dictated by installation configurations.
Please ensure to check the appropriate flow restrictor information if applicable.
*Please refer to website for full warranty details.

FREEPHONE: 0800 195 1602 | FAX ORDERS: 08444 068 690 | EMAIL: SALES@UK.METHVEN.COM

methven.com

THE INFORMATION ON THIS SPECIFICATION DOCUMENT WAS CORRECT AT THE DATE OF ISSUE. SOME VARIATION MAY OCCUR DUE TO THE MANUFACTURING TOLERANCES AND SITE SPECIFIC CONDITIONS.