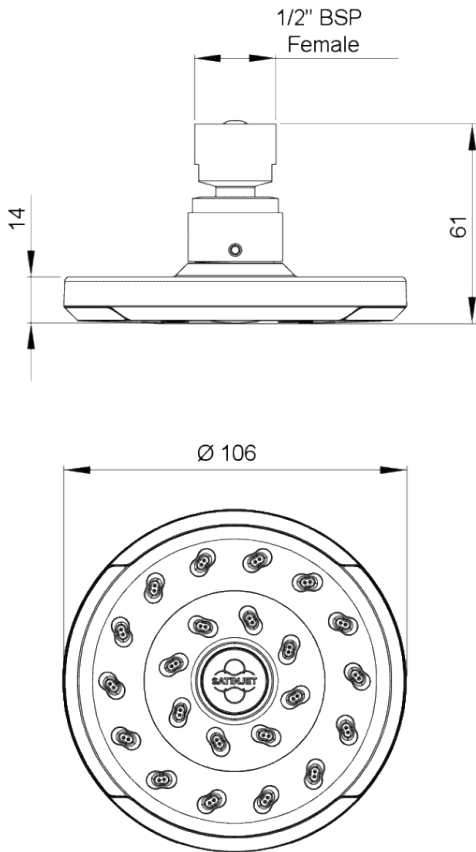


KIRI SHOWER ROSE



CONSTRUCTION: ABS

SUPPLY: Suitable For High Pressure Systems

INLET CONNECTIONS: 1/2" BSP

WORKING PRESSURES: 1.0 - 5.0 bar

CARTRIDGE/VALVE TYPE: N/A

- Swivel Joint
- Water Efficient Without Compromising Performance
- Supplied With 8L/Min Flow Regulator
- Satinjet® Technology Twin Jets Of Water Collide Into Thousands Of Tiny Droplets To Deliver Voluminous Shower Coverage
- 5 Years Warranty On The Outer Finish

SJK005

Chrome & Graphite

Open Outlet Flow (Bar - l/min)

BAR	0.1	0.3	0.5	1.0	2.0	3.0	4.0	5.0
HANDSET FLOW	5	6.9	8.4	9.1	8.2	8.6	8.5	8.3



KUKreg4
2005714



241004032



Please Note: Flow rate will be dictated by installation configurations.
Please ensure to check the appropriate flow restrictor information if applicable.
*Please refer to website for full warranty details.

FREEPHONE: 0800 195 1602 | FAX ORDERS: 08444 068 690 | EMAIL: SALES@UK.METHVEN.COM

methven.com

THE INFORMATION ON THIS SPECIFICATION DOCUMENT WAS CORRECT AT THE DATE OF ISSUE. SOME VARIATION MAY OCCUR DUE TO THE MANUFACTURING TOLERANCES AND SITE SPECIFIC CONDITIONS.