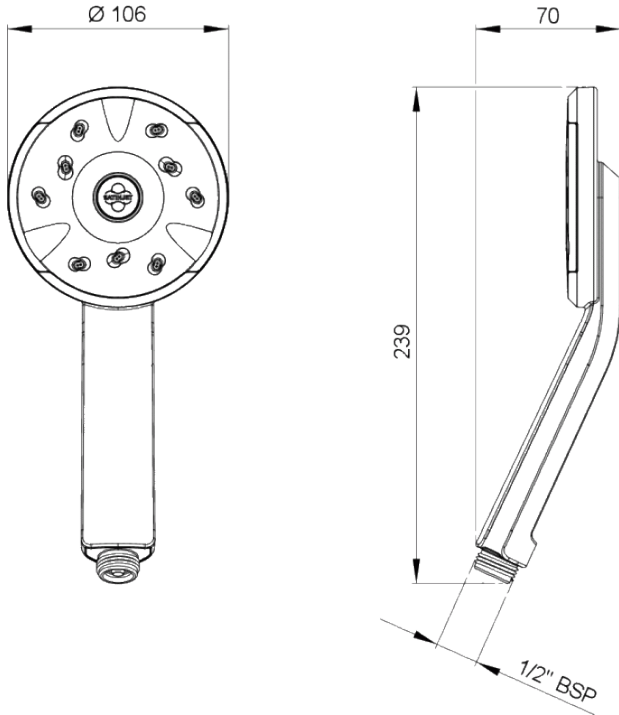


SATINJET KIRI LOW FLOW HANDSET



CONSTRUCTION: ABS

SUPPLY: Suitable for high pressure only

INLET CONNECTIONS: 1/2" BSP

WORKING PRESSURES: 1.0 - 5.0 bar

CARTRIDGE/VALVE TYPE: N/A

- Delivers a great shower at a lower flow rate
- Supplied with 6l/min flow regulator
- Satinjet® technology twin jets of water collide into thousands of tiny droplets to deliver voluminous shower coverage

SJK23-LF

Open Outlet Flow (Bar - l/min)

BAR	0.3	0.5	1.0	2.0	3.0	4.0	5.0
HANDSET FLOW	8.6	10.1	6	6	6	6	6

Chrome & Graphite



2005318



Please Note: Flow rate will be dictated by installation configurations.
Please ensure to check the appropriate flow restrictor information if applicable.
*Please refer to website for full warranty details.

FREEPHONE: 0800 195 1602 | FAX ORDERS: 08444 068 690 | EMAIL: SALES@UK.METHVEN.COM

methven.com

THE INFORMATION ON THIS SPECIFICATION DOCUMENT WAS CORRECT AT THE DATE OF ISSUE. SOME VARIATION MAY OCCUR DUE TO THE MANUFACTURING TOLERANCES AND SITE SPECIFIC CONDITIONS.