



Georgian

Georgian Mono Sink Mixer - Brushed Nickel

Product Code: SM056/NI

Finish: Brushed Nickel

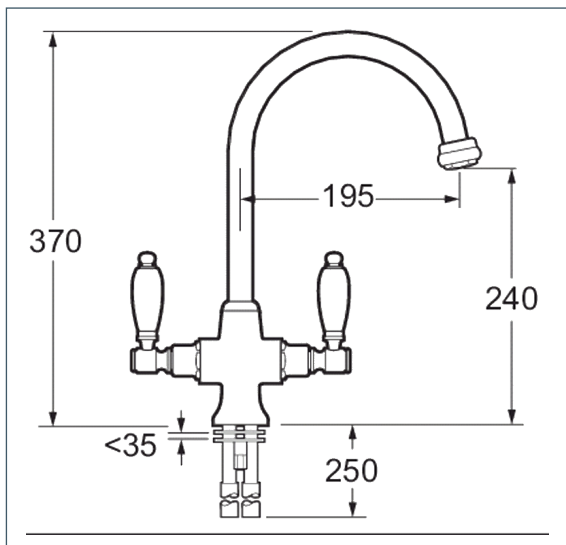
Features

- Construction:** Brass
- Valve/Cartridge type:** ¼ Turn Ceramic Disc
- Supply:** Suitable For Low Pressure Systems
- Working Pressures:** 0.1 - 5.0 bar
- Inlet connections:** 15mm Copper
- Flexi or Copper:** Copper Tails

- Swivel Spout
- Dual Flow
- 1/4 Turn Ceramic Handles Ensure A Smooth Operation
- Products Which Are Easy To Use By All The Family



*Please refer to website for full warranty details.



Flow (Bar - l/min, open outlet)

Spout

Flow 0.1	Flow 0.3	Flow 0.5	Flow 1.0	Flow 2.0	Flow 3.0	Flow 4.0	Flow 5.0
7	10.8	14.3	20.7	29.7	36.3	42	47.1



2010732



2011305

