



Sauris

Sauris Mono Sink Mixer - Beige

Product Code: SMS172/004

Finish: Beige

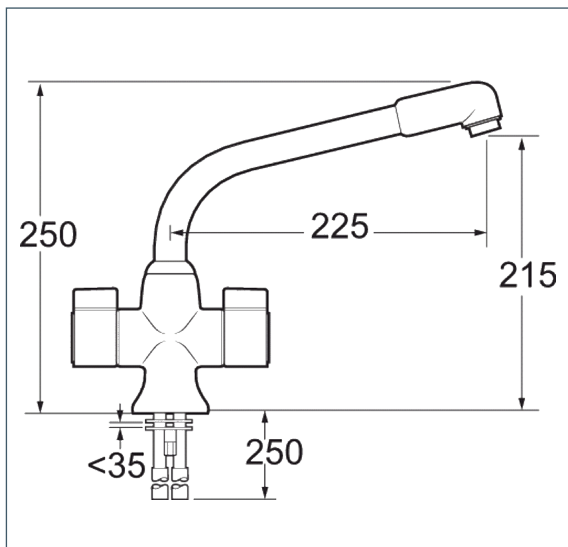
Features

- Construction:** Brass
- Valve/Cartridge type:** ¼ Turn Ceramic Disc
- Supply:** Suitable For Low Pressure Systems
- Working Pressures:** 0.1 - 5.0 bar
- Inlet connections:** 15mm Copper
- Flexi or Copper:** Copper Tails

- Ceramic Disc Handles Ensure A Smooth Operation
- Swivel Spout
- Dual Flow



*Please refer to website for full warranty details.



Flow (Bar - l/min, open outlet)

Spout

Flow 0.1	Flow 0.3	Flow 0.5	Flow 1.0	Flow 2.0	Flow 3.0	Flow 4.0	Flow 5.0
6.8	10.3	13.8	20	28.6	35.1	40.5	45.5



2006760



2006328

