

TAPWARE



Deva™ by METHVEN

Thermostatic

Sequential Basin Mixer

Product Code: SOL003

Finish: Chrome

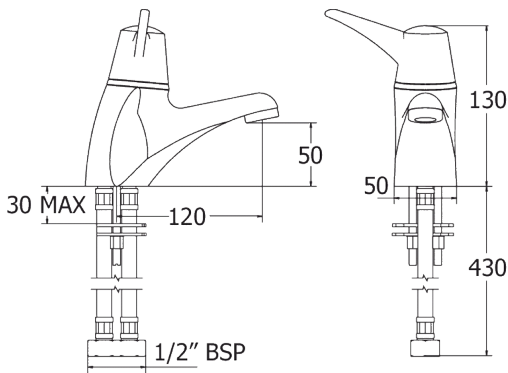
Features

- Construction:** Brass
- Valve/Cartridge type:** Thermostatic
- Supply:** Suitable For Low Pressure Systems
- Working Pressures:** 0.1 - 5.0 bar
- Inlet connections:** 1/2" BSP
- Flexi or Copper:** Flexi Tails

- Sequential Flow And Temperature Control For Ease Of Use
- Prevents Scalding By Accurately Controlling The Water Temperature



*Please refer to website for full warranty details.



Flow (Bar - l/min, open outlet)

Spout

Flow 0.1	Flow 0.3	Flow 0.5	Flow 1.0	Flow 2.0	Flow 3.0	Flow 4.0	Flow 5.0
2.4	4.1	5.7	8.5	12.5	15.6	18.3	20.8



2006075



NSF2147 rev.1

www.deva-uk.com · 0800 195 1602 · sales@uk.methven.com