



Sparkle Mk2

Sparkle MK2 Basin Mixer & Press Top Waste

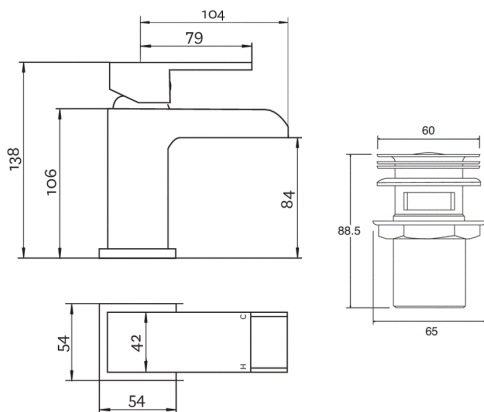
Product Code: SPA2113

Finish: Chrome

Features

- Construction:** Brass
- Valve/Cartridge type:** 35mm Ceramic Cartridge
- Supply:** Suitable For Low Pressure Systems
- Working Pressures:** 0.1 - 5.0 bar
- Inlet connections:** 1/2" BSP
- Flexi or Copper:** Flexi Tails - M10 - 400mm

- Ceramic Cartridge For Smooth Operation
- Tilt And Turn Temperature And Flow Control
- Comes Complete With Press Top Waste
- Products Which Are Easy To Use By All The Family
- In Full Colour Packaging



*Please refer to website for full warranty details.

Flow (Bar - l/min, open outlet)

Spout

Flow 0.1	Flow 0.3	Flow 0.5	Flow 1.0	Flow 2.0	Flow 3.0	Flow 4.0	Flow 5.0
4.1	6.5	8.8	12.8	18.4	22.6	26.1	29.3



240602063

