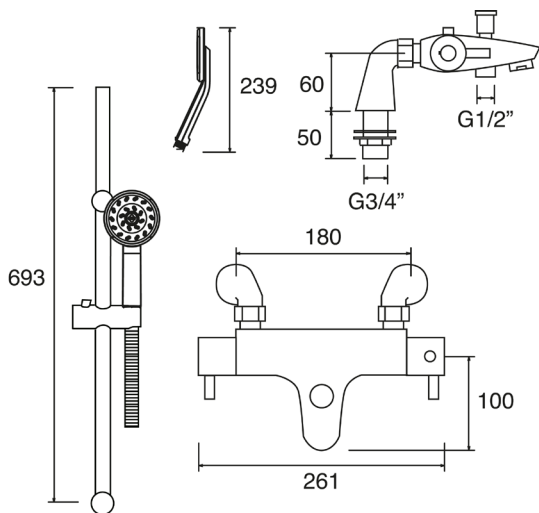


THERMOSTATIC BATH SHOWER MIXER WITH SATINJET KIT



CONSTRUCTION: Brass & ABS

CARTRIDGE/VALVE TYPE: Thermostatic

SUPPLY: Suitable For High Pressure Systems

INLET CONNECTIONS: 3/4" BSP

WORKING PRESSURES: 0.5 - 5.0 bar

OPERATION: Separate Flow And Temperature Controls

- Complete With Kiri Satinjet Handset & Adjustable Rail
- Water Efficient Without Compromising Performance
- Fitted With 8Lpm Flow Regulator
- Thermostatic Valve With 38°C Temperature Stop (With Override)
- Products Which Are Easy To Use By All The Family

TLVBSM2B

Chrome

Open Outlet Flow (Bar - l/min)

BAR	0.1	0.3	0.5	1.0	2.0	3.0	4.0	5.0
SPOUT FLOW	3.6	6.1	8.2	12.2	17.4	21.3	24.7	27.7
HANDSET FLOW	1.8	3.3	4.6	6.8	8.4	8.1	8.5	8.5



2011901



2308970

Please Note: Flow rate will be dictated by installation configurations.
Please ensure to check the appropriate flow restrictor information if applicable.
*Please refer to website for full warranty details.

FREEPHONE: 0800 195 1602 | FAX ORDERS: 08444 068 690 | EMAIL: SALES@UK.METHVEN.COM

methven.com

THE INFORMATION ON THIS SPECIFICATION DOCUMENT WAS CORRECT AT THE DATE OF ISSUE. SOME VARIATION MAY OCCUR DUE TO THE MANUFACTURING TOLERANCES AND SITE SPECIFIC CONDITIONS.