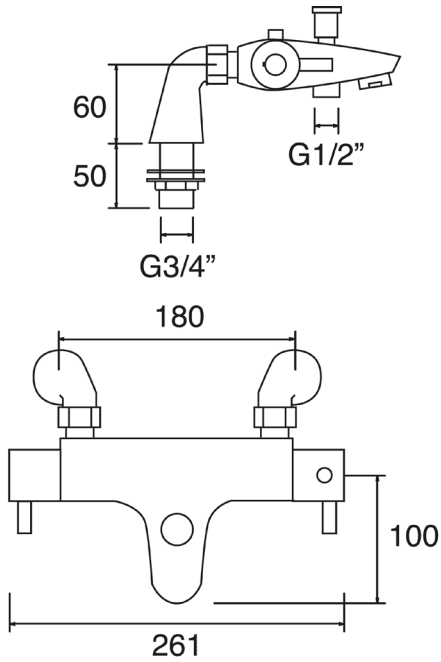


THERMOSTATIC BATH SHOWER MIXER NO KIT



CONSTRUCTION: Brass
CARTRIDGE/VALVE TYPE: Thermostatic
SUPPLY: Suitable For High Pressure Systems
INLET CONNECTIONS: 3/4" BSP
WORKING PRESSURES: 0.5 - 5.0 bar
OPERATION: Separate Flow And Temperature Controls

- Thermostatic Valve With 38°C Temperature Stop (With Override)
- Products Which Are Easy To Use By All The Family

TLVBSMNK

Chrome

Open Outlet Flow (Bar - l/min)

BAR	0.1	0.3	0.5	1.0	2.0	3.0	4.0	5.0
SPOUT FLOW	3.6	6.1	8.2	12.2	17.4	21.3	24.7	27.7



1907388



2308970

Please Note: Flow rate will be dictated by installation configurations.
 Please ensure to check the appropriate flow restrictor information if applicable.
 *Please refer to website for full warranty details.

FREEPHONE: 0800 195 1602 | FAX ORDERS: 08444 068 690 | EMAIL: SALES@UK.METHVEN.COM

methven.com

THE INFORMATION ON THIS SPECIFICATION DOCUMENT WAS CORRECT AT THE DATE OF ISSUE. SOME VARIATION MAY OCCUR DUE TO THE MANUFACTURING TOLERANCES AND SITE SPECIFIC CONDITIONS.