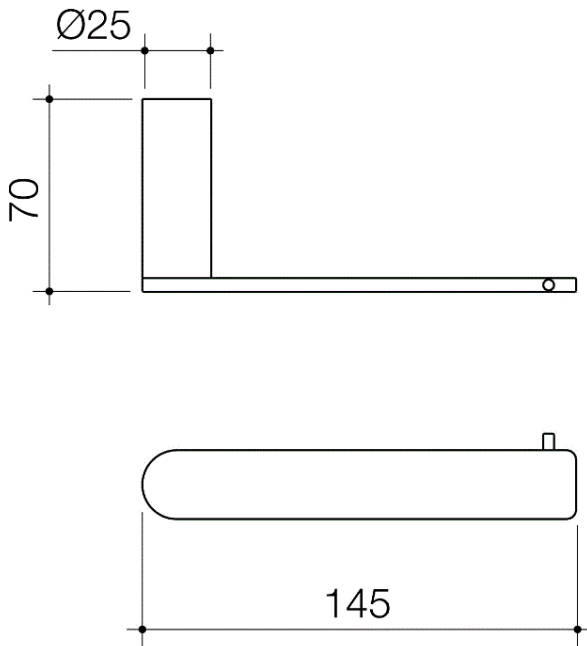


TOILET ROLL HOLDER - BRUSHED NICKEL



CONSTRUCTION: Metal

INLET CONNECTIONS: N/A

- The Perfect Finishing Touch To Your Bathroom
- Metal Construction Ensures Durability
- Contemporary Design And Thin Edge Details To Suit Modern Bathroom

TRH01BN

Brushed Nickel



Please Note: Flow rate will be dictated by installation configurations.
Please ensure to check the appropriate flow restrictor information if applicable.
*Please refer to website for full warranty details.

FREEPHONE: 0800 195 1602 | FAX ORDERS: 08444 068 690 | EMAIL: SALES@UK.METHVEN.COM

methven.com

THE INFORMATION ON THIS SPECIFICATION DOCUMENT WAS CORRECT AT THE DATE OF ISSUE. SOME VARIATION MAY OCCUR DUE TO THE MANUFACTURING TOLERANCES AND SITE SPECIFIC CONDITIONS.