



# Tudor

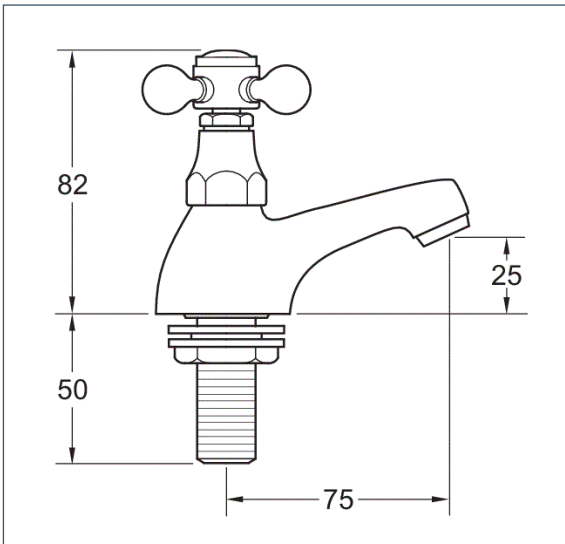
Tudor Basin Taps

Product Code: TUD01

Finish: Chrome

## Features

- Construction:** Brass & Resin
- Valve/Cartridge type:** Compression Valve
- Supply:** Suitable For Low Pressure Systems
- Working Pressures:** 0.1 - 5.0 bar
- Inlet connections:** 1/2" BSP
- Flexi or Copper:** N/A



\*Please refer to website for full warranty details.

## Flow (Bar - l/min, open outlet)

### Spout

Flow 0.1	Flow 0.3	Flow 0.5	Flow 1.0	Flow 2.0	Flow 3.0	Flow 4.0	Flow 5.0
5.8	9.2	12.4	18	25.8	31.8	36.8	41.2



2007732



2007340

