



Tudor

Tudor Bath Taps

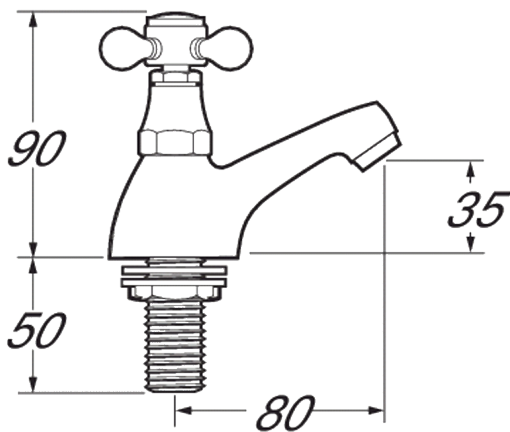
Product Code: TUD02

Finish: Chrome

Features

- Construction:** Brass & Resin
- Valve/Cartridge type:** Compression Valve
- Supply:** Suitable For Low Pressure Systems
- Working Pressures:** 0.1 - 5.0 bar
- Inlet connections:** 3/4" BSP
- Flexi or Copper:** N/A

· Optimised For Bath Filling



*Please refer to website for full warranty details.

Flow (Bar - l/min, open outlet)

Spout

Flow 0.1	Flow 0.3	Flow 0.5	Flow 1.0	Flow 2.0	Flow 3.0	Flow 4.0	Flow 5.0
6.1	9.6	12.9	18.7	26.8	33	38.2	42.8



2007727



2007336

