



# Tudor

Tudor Pillar Mounted Bath Filler

Product Code: TUD08

Finish: Chrome

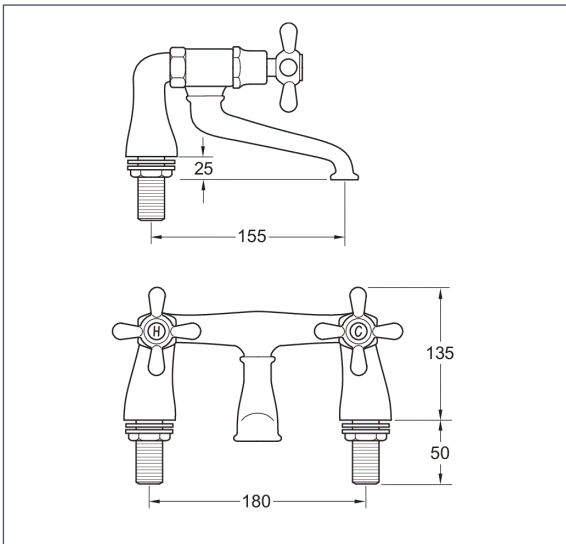
## Features

- Construction:** Brass & Resin
- Valve/Cartridge type:** Non-rising Spindle Headworks
- Supply:** Suitable For Low Pressure Systems
- Working Pressures:** 0.1 - 5.0 bar
- Inlet connections:** 3/4" BSP
- Flexi or Copper:** N/A

· Products Can Be Wall Mounted Or Deck Mounted



\*Please refer to website for full warranty details.



## Flow (Bar - l/min, open outlet)

### Spout

Flow 0.1	Flow 0.3	Flow 0.5	Flow 1.0	Flow 2.0	Flow 3.0	Flow 4.0	Flow 5.0
14.8	23.4	31.4	46.1	66.8	82.3	93.9	103.3



2009726



2101802

