



Tudor

Tudor Bidet Mixer

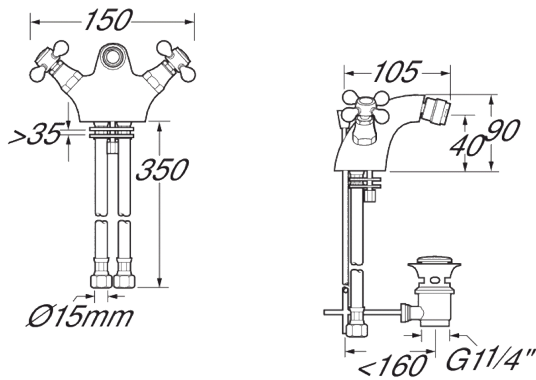
Product Code: TUD114

Finish: Chrome

Features

- Construction:** Brass & Resin
- Valve/Cartridge type:** Standard
- Supply:** Suitable For Low Pressure Systems
- Working Pressures:** 0.1 - 5.0 bar
- Inlet connections:** 1/2" BSP
- Flexi or Copper:** Copper Tails

· Comes Complete With A Lever Operated Pop Up Waste



*Please refer to website for full warranty details.

Flow (Bar - l/min, open outlet)

Spout

Flow 0.1	Flow 0.3	Flow 0.5	Flow 1.0	Flow 2.0	Flow 3.0	Flow 4.0	Flow 5.0
3	4.6	6.2	9.2	13.5	16.9	19.8	22.2

