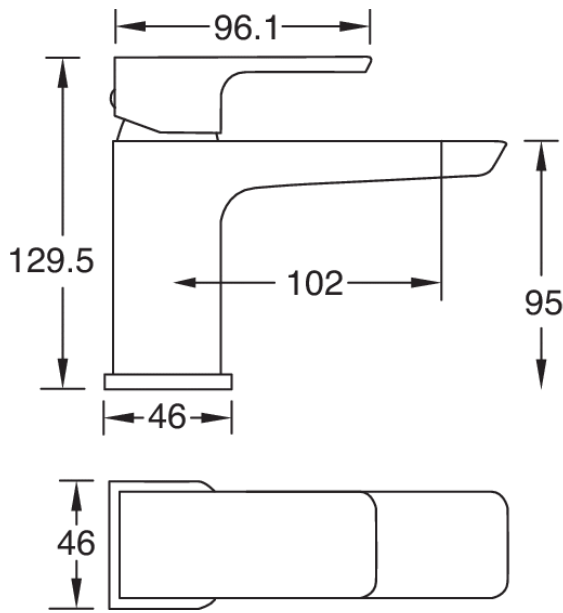


WAI MINI BASIN MIXER & PRESS TOP WASTE - GUNMETAL



- ① Chrome
- Matte Black
- PVD Brushed Brass
- PVD Gunmetal
- PVD Brushed Nickel

CONSTRUCTION: Brass
CARTRIDGE/VALVE TYPE: 30mm Ceramic Cartridge
SUPPLY: Suitable For All Plumbing Systems
INLET CONNECTIONS: 1/2" BSP
WORKING PRESSURES: 0.1 - 5.0 bar
OPERATION: Tilt And Turn Temperature And Flow Control

- On Trend Gunmetal Finish For A Designer Look
- Contemporary Square Design
- Ceramic Cartridge For Smooth Operation
- Fitted With A 4 L/Min Flow Regulator
- Slim Stream Aerator With Directional Swivel
- Products Which Are Easy To Use By All The Family
- Includes Press Top Waste

WAIBMGM

Gunmetal

Open Outlet Flow (Bar - l/min)

BAR	0.1	0.3	0.5	1.0	2.0	3.0	4.0	5.0
SPOUT FLOW	3.3	4.8	6.3	9	12.9	15.8	18.3	20.6



1912307



Please Note: Flow rate will be dictated by installation configurations.
 Please ensure to check the appropriate flow restrictor information if applicable.
 *Please refer to website for full warranty details.

FREEPHONE: 0800 195 1602 | FAX ORDERS: 08444 068 690 | EMAIL: SALES@UK.METHVEN.COM

methven.com

THE INFORMATION ON THIS SPECIFICATION DOCUMENT WAS CORRECT AT THE DATE OF ISSUE. SOME VARIATION MAY OCCUR DUE TO THE MANUFACTURING TOLERANCES AND SITE SPECIFIC CONDITIONS.