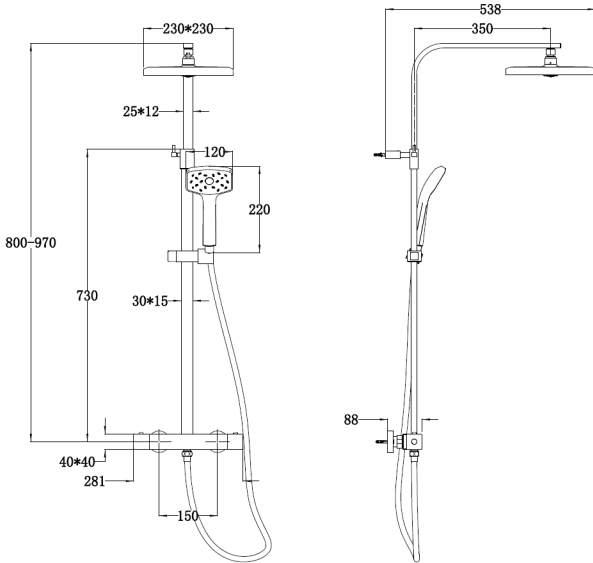


## WAIPORI COOL TOUCH DIVERTER SHOWER FEATURING SATINJET



**CONSTRUCTION:** Brass & ABS  
**CARTRIDGE/VALVE TYPE:** Thermostatic  
**SUPPLY:** Suitable For High Pressure Systems  
**INLET CONNECTIONS:** 15mm Compression  
**WORKING PRESSURES:** 1.5 - 5.0 bar  
**OPERATION:** Separate Flow And Temperature Controls

- Safe Cool To Touch Body
- 38°C Temperature Hot Stop With Override Facility
- Integral Diverter To Fixed Head And Handset
- Smooth Easy Clean 1.5M Hose
- Handset Fitted With 8L/Min Flow Regulator
- Adjustable Rail

WCTSDEF

Chrome & Graphite

### Open Outlet Flow (Bar - l/min)

BAR	0.1	0.3	0.5	1.0	2.0	3.0	4.0	5.0
<b>HANDSET FLOW</b>	2.9	5.9	7.3	7.8	7.9	8.3	0	0
<b>OVERHEAD FLOW</b>	0.24	1.8	2.6	3.97	5.8	7.22	8.38	9.4



2312732



2211815



2201736

Please Note: Flow rate will be dictated by installation configurations.  
 Please ensure to check the appropriate flow restrictor information if applicable.  
 \*Please refer to website for full warranty details.

**FREEPHONE: 0800 195 1602 | FAX ORDERS: 08444 068 690 | EMAIL: SALES@UK.METHVEN.COM**

methven.com

THE INFORMATION ON THIS SPECIFICATION DOCUMENT WAS CORRECT AT THE DATE OF ISSUE. SOME VARIATION MAY OCCUR DUE TO THE MANUFACTURING TOLERANCES AND SITE SPECIFIC CONDITIONS.