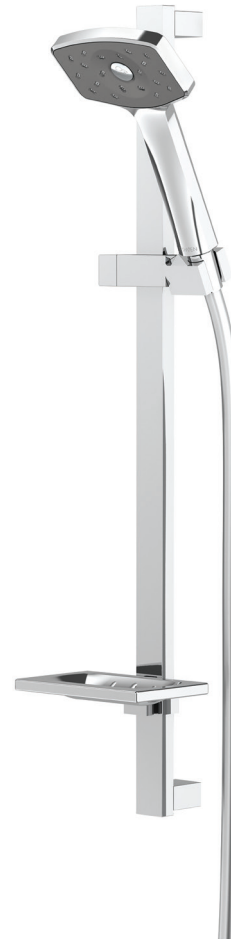
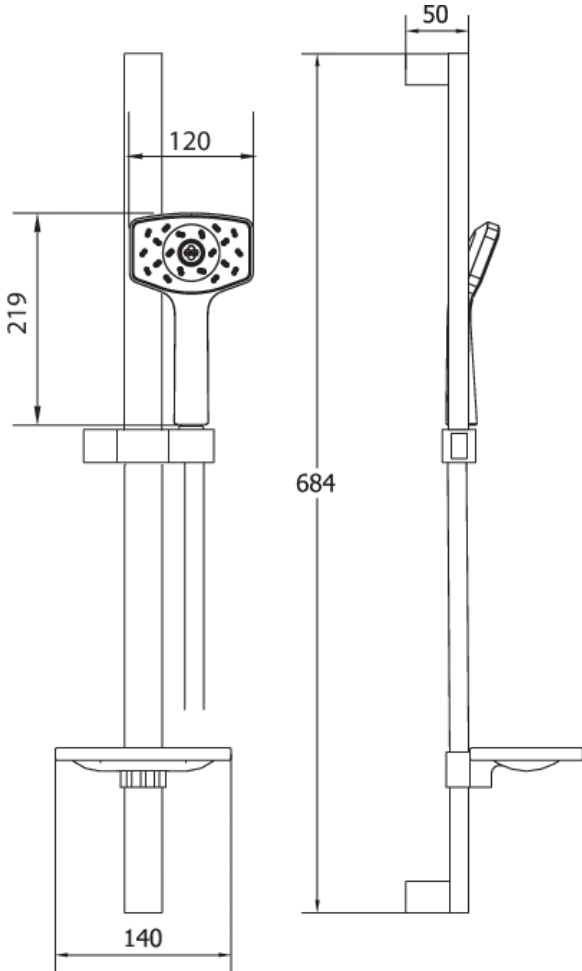


## WAIPORI SATINJET KIT



**CONSTRUCTION:** Stainless steel/ABS  
**SUPPLY:** Suitable For Low Pressure Systems  
**INLET CONNECTIONS:** ½" BSP  
**WORKING PRESSURES:** 0.3 - 5.0 bar  
**CARTRIDGE/VALVE TYPE:** N/A

- Fitted With 8Lpm Flow Regulator
- Smooth Easy Clean 1.5M Hose
- Lifetime Warranty On Handset

WK1

Chrome & Graphite

### Open Outlet Flow (Bar - l/min)

BAR	0.1	0.3	0.5	1.0	2.0	3.0	4.0	5.0
<b>HANDBSET FLOW</b>	3.04	4.63	6.09	8.35	7.92	8.27	8.41	0



2009907



Please Note: Flow rate will be dictated by installation configurations.  
 Please ensure to check the appropriate flow restrictor information if applicable.  
 \*Please refer to website for full warranty details.

**FREEPHONE: 0800 195 1602 | FAX ORDERS: 08444 068 690 | EMAIL: SALES@UK.METHVEN.COM**

methven.com

THE INFORMATION ON THIS SPECIFICATION DOCUMENT WAS CORRECT AT THE DATE OF ISSUE. SOME VARIATION MAY OCCUR DUE TO THE MANUFACTURING TOLERANCES AND SITE SPECIFIC CONDITIONS.