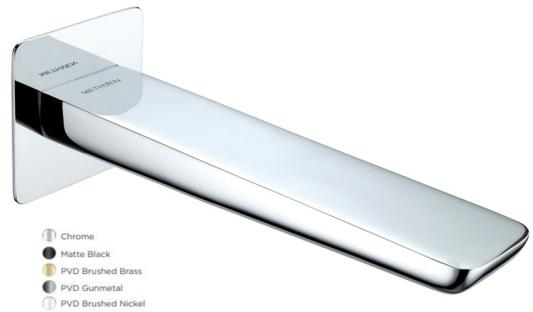
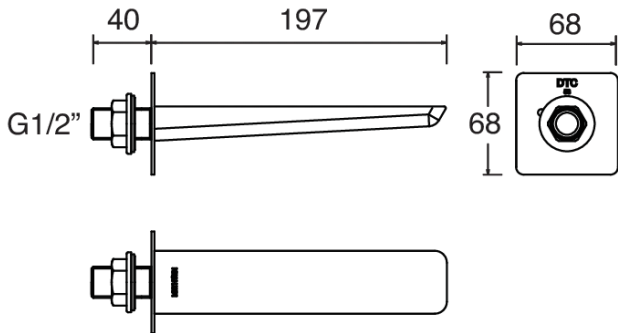


## WALL MOUNTED 197MM SPOUT - CHROME



- 1 Chrome
- 2 Matte Black
- 3 PVD Brushed Brass
- 4 PVD Gunmetal
- 5 PVD Brushed Nickel

**CONSTRUCTION:** Brass  
**CARTRIDGE/VALVE TYPE:** N/A  
**SUPPLY:** Suitable For Low Pressure Systems  
**INLET CONNECTIONS:** 1/2" BSP  
**WORKING PRESSURES:** 0.1 - 5.0 BAR  
**OPERATION:** N/A

- Durable Brass Body Construction
- Slim Stream Aerator With Directional Swivel

WSP01CP

Chrome

### Open Outlet Flow (Bar - l/min)

BAR	0.1	0.3	0.5	1.0	2.0	3.0	4.0	5.0
<b>SPOUT FLOW</b>	4.2	6.4	8.2	11.3	16	21.5	24.4	25.2



2110702



2110318



Please Note: Flow rate will be dictated by installation configurations.  
 Please ensure to check the appropriate flow restrictor information if applicable.  
 \*Please refer to website for full warranty details.

**FREEPHONE: 0800 195 1602 | FAX ORDERS: 08444 068 690 | EMAIL: SALES@UK.METHVEN.COM**

[methven.com](http://methven.com)

THE INFORMATION ON THIS SPECIFICATION DOCUMENT WAS CORRECT AT THE DATE OF ISSUE. SOME VARIATION MAY OCCUR DUE TO THE MANUFACTURING TOLERANCES AND SITE SPECIFIC CONDITIONS.